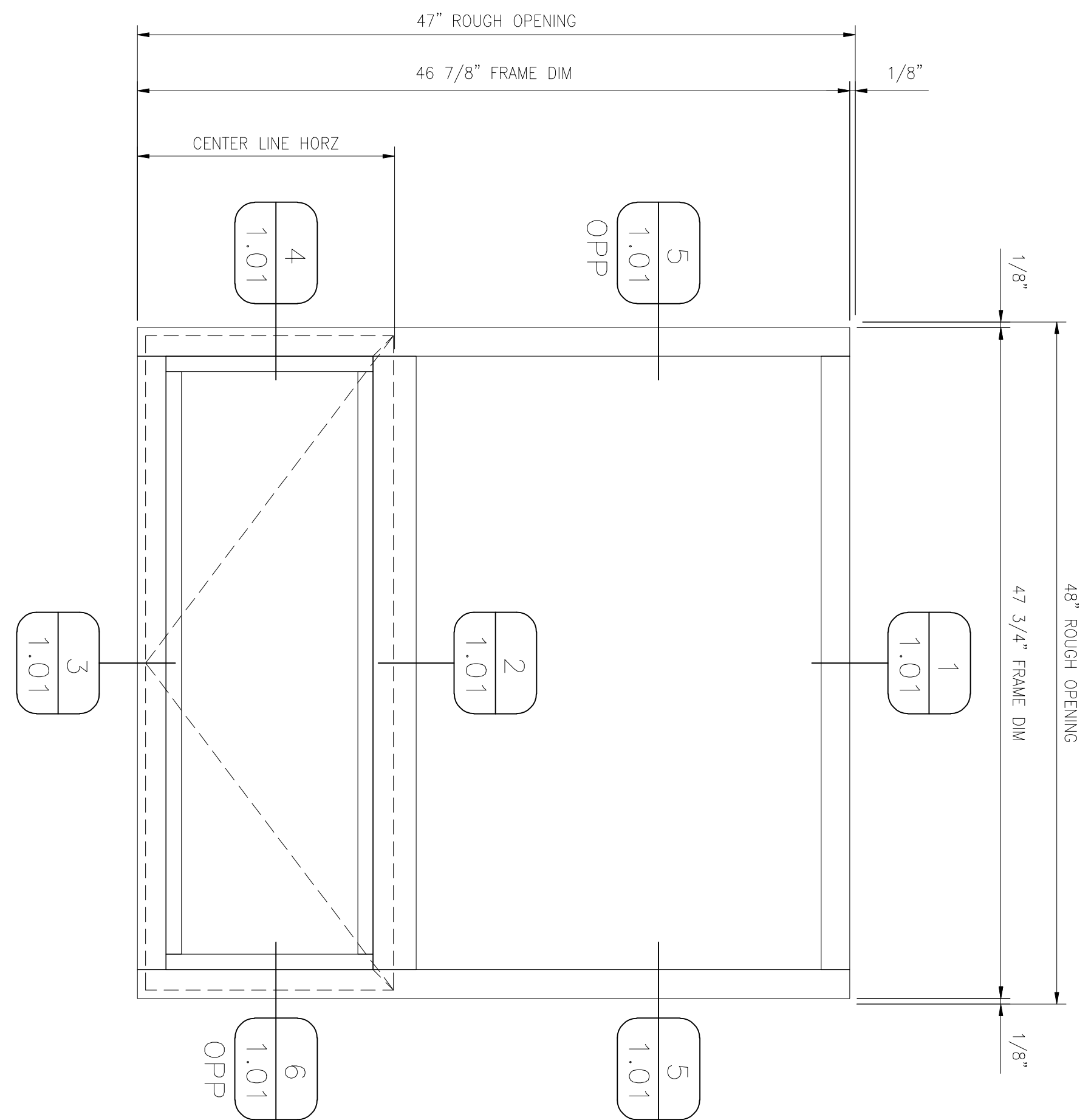
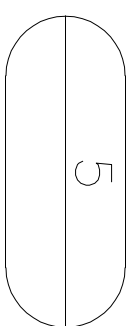
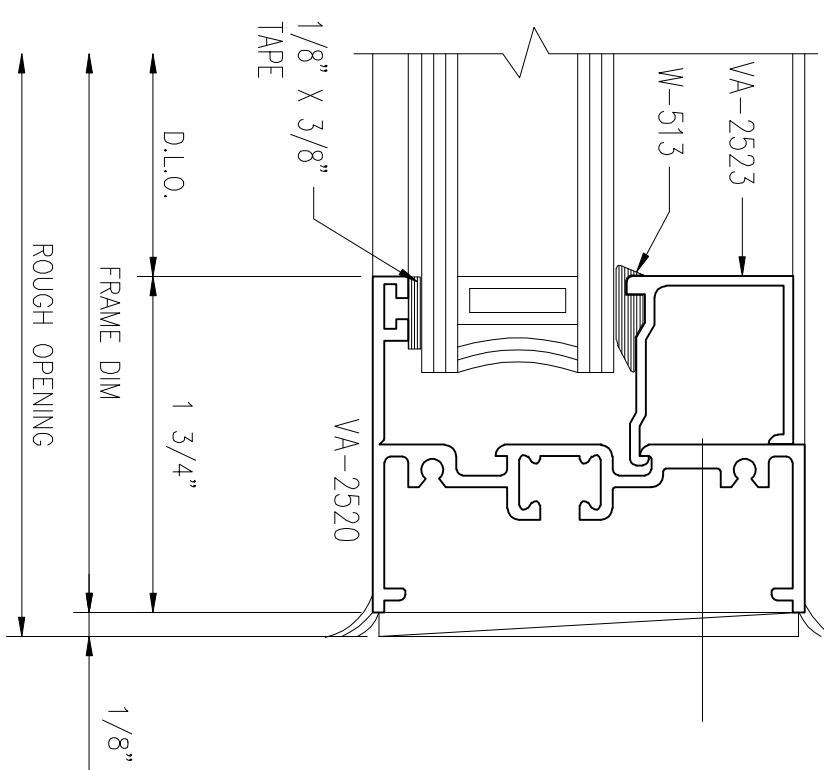
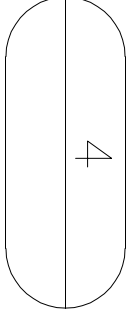
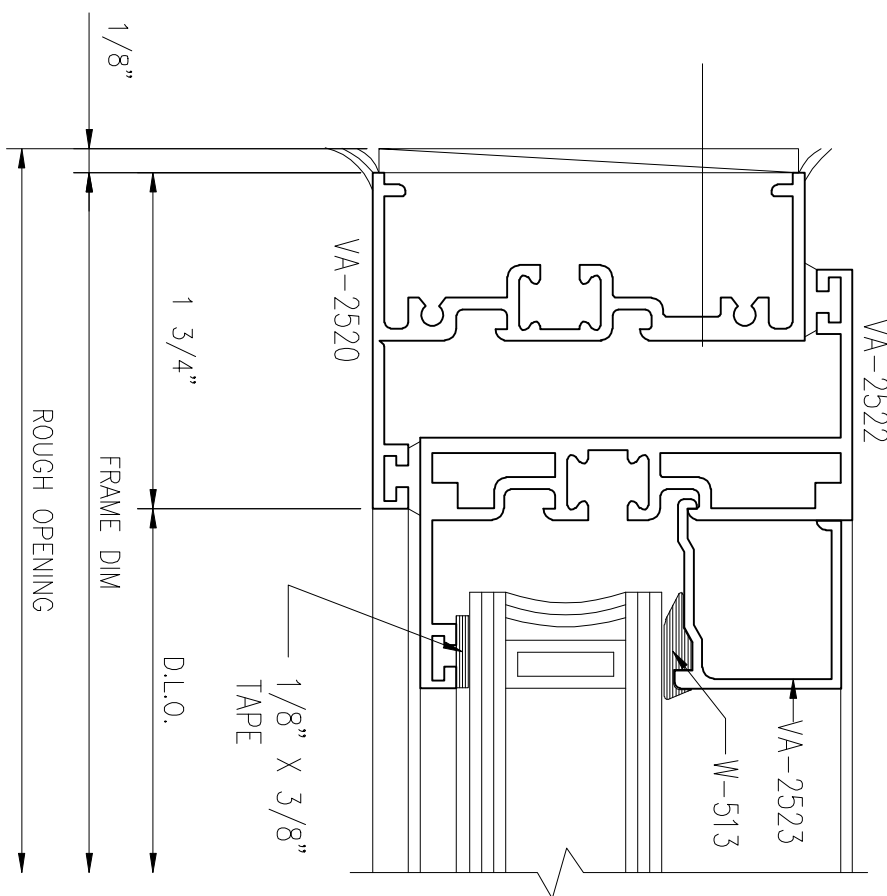


**SERIES 2500 NON THERMAL
FIXED OVER PROJECT IN VENT**

DETAIL VIEWED FROM THE EXTERIOR.
SCREENS AVAILABLE AS REQUIRED.
GLASS FORMULA IS:
VENT WIDTH = V.D. - 4 9/16"
VENT HEIGHT = V.D. - 4 9/16"
FIXED LITE WIDTH = D.L.O. + 1"
FIXED LITE HEIGHT = D.L.O. + 1"



PROJECT NO:	SCALE FULL SCALE DETAILS	PROJECT: STANDARD SERIES 2500 DETAILS
PAGE #:	DRAWN BY: H.D.S.	LOCATION: FIXED OVER PROJECT IN
1.01		CUSTOMER:
		ARCHITECT:

Valley Building Specialties V.B.S.
Windows, Doors and More

5401 Central Avenue Suite "G"
Hot Springs, AR 71913
501-525-3268

REV.	BY	x/x/x/ DATE	FIRST SUBMISSION DESCRIPTION