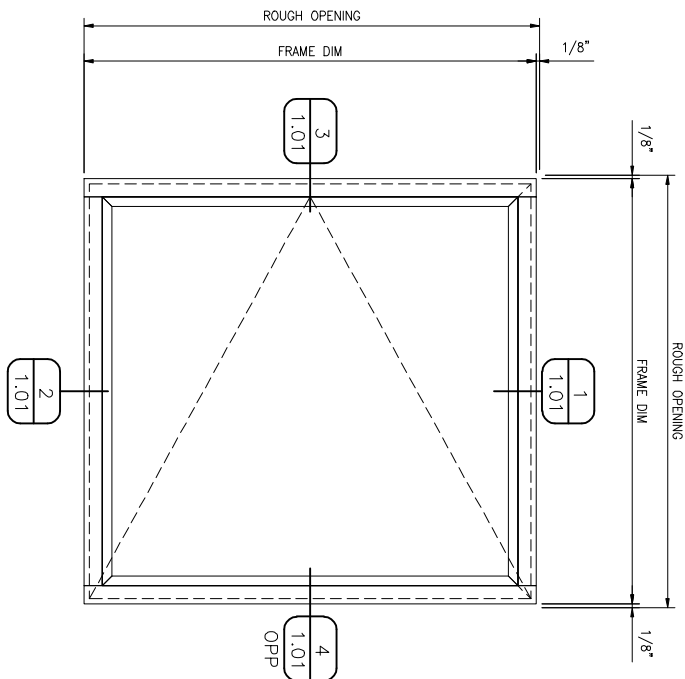
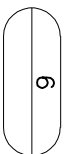
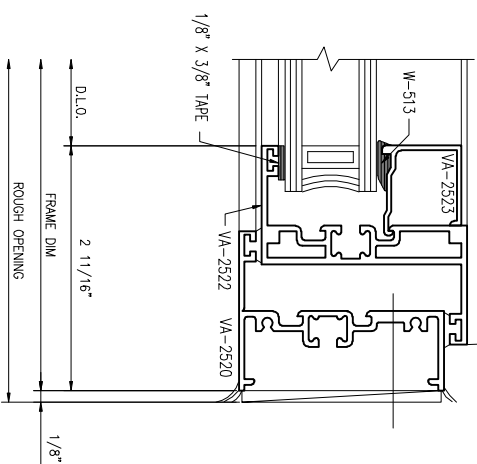
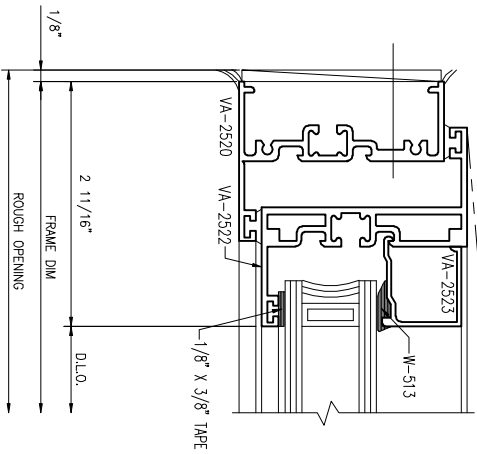
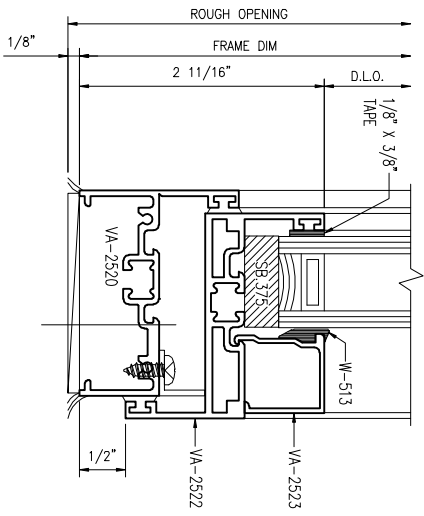
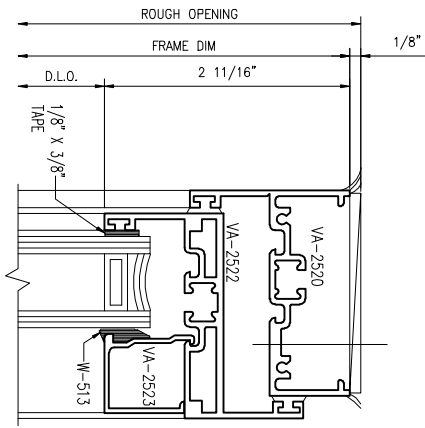


**SERIES 2500 NON THERMAL  
PROJECT IN CASEMENT**

DETAIL VIEWED FROM THE EXTERIOR.  
SCREENS AVAILABLE AS REQUIRED.  
GLASS FORMULA IS:  
VENT WIDTH = V.D. - 4 9/16"  
VENT HEIGHT = V.D. - 4 9/16"  
FIXED LITE WIDTH = D.L.O. + 1"  
FIXED LITE HEIGHT = D.L.O. + 1"



PROJECT NO:	SCALE FULL SCALE DETAILS
PAGE #:	DRAWN BY: H.D.S.
1.01	

PROJECT:	STANDARD SERIES 2500 DETAILS
LOCATION:	PROJECT IN CASEMENT
CUSTOMER:	
ARCHITECT:	

**Valley Building Specialties V.B.S.**  
*Windows, Doors and More*

5401 Central Avenue Suite "G"  
Hot Springs, AR 71913  
501-525-3268

© 2006 VBS ALL RIGHTS RESERVED

REV.	BY	DATE	DESCRIPTION
			FIRST SUBMISSION